



27805

PATENT TRADEMARK OFFICE

PATENT

IN THE UNITED STATES PATENT AND TRADEMARK OFFICE

Application of

Applicant : Arshad Madni
 Serial No. : 10/056,155
 Filed : 01/24/2002
 Title : AMPLIFIER
 Docket No. : 534334-024

ATTN: OFFICIAL DRAFTSMAN
 Assistant Commissioner for Patents
 Washington, D.C. 20231

Sir:

TRANSMITTAL OF FORMAL DRAWINGS

Attached please find the formal drawings for this application (4 sheets, Figs. 1-5).

The Commissioner is authorized to charge any additional fee required by this paper (including the fee for any additional extension of time) or to credit any overpayment to Deposit Account No. 20-0809.

Respectfully submitted,

By:

 Theodore D. Lienesch
 Reg. No. 28,235

THOMPSON HINE LLP
 2000 Courthouse Plaza NE
 10 West Second Street
 Dayton, Ohio 45402-1758
 Telephone (937) 443-6958
 Facsimile: (937) 443-6635

AMPLIFIER

Applicant: Arshad Madni et al.
Application No.: 10/056,155

1/4

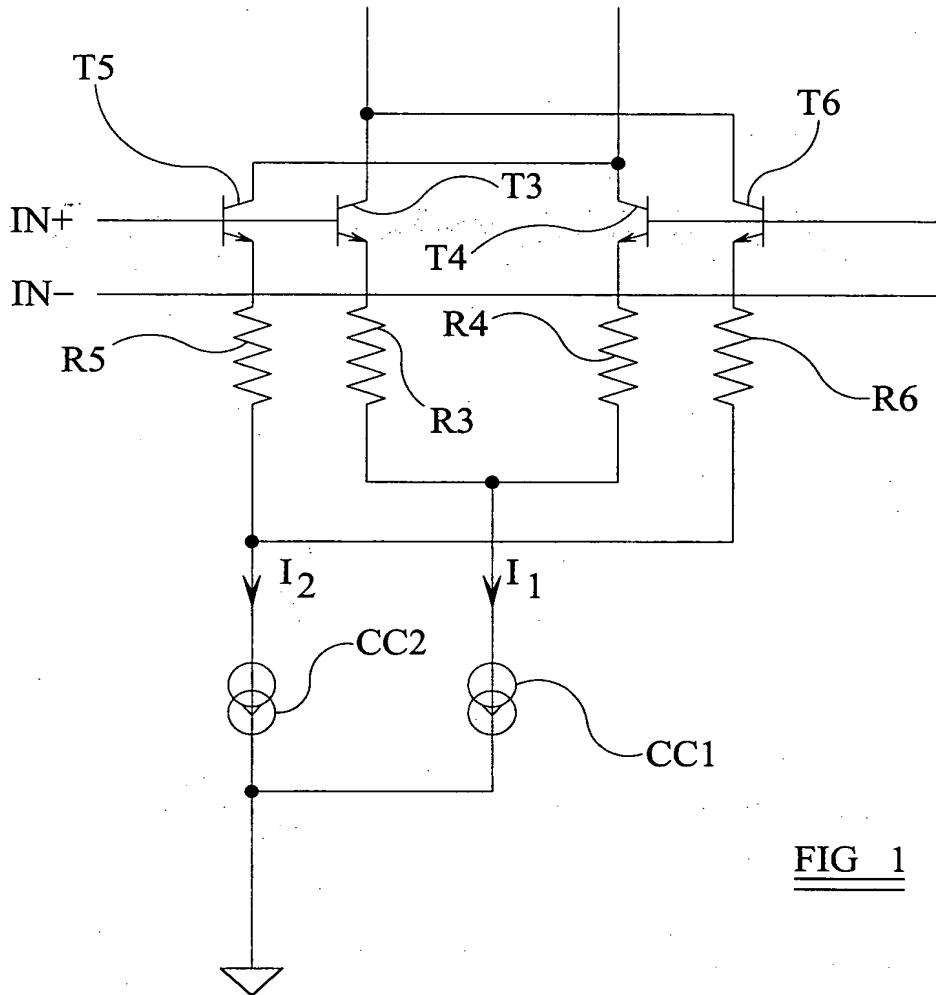


FIG 1

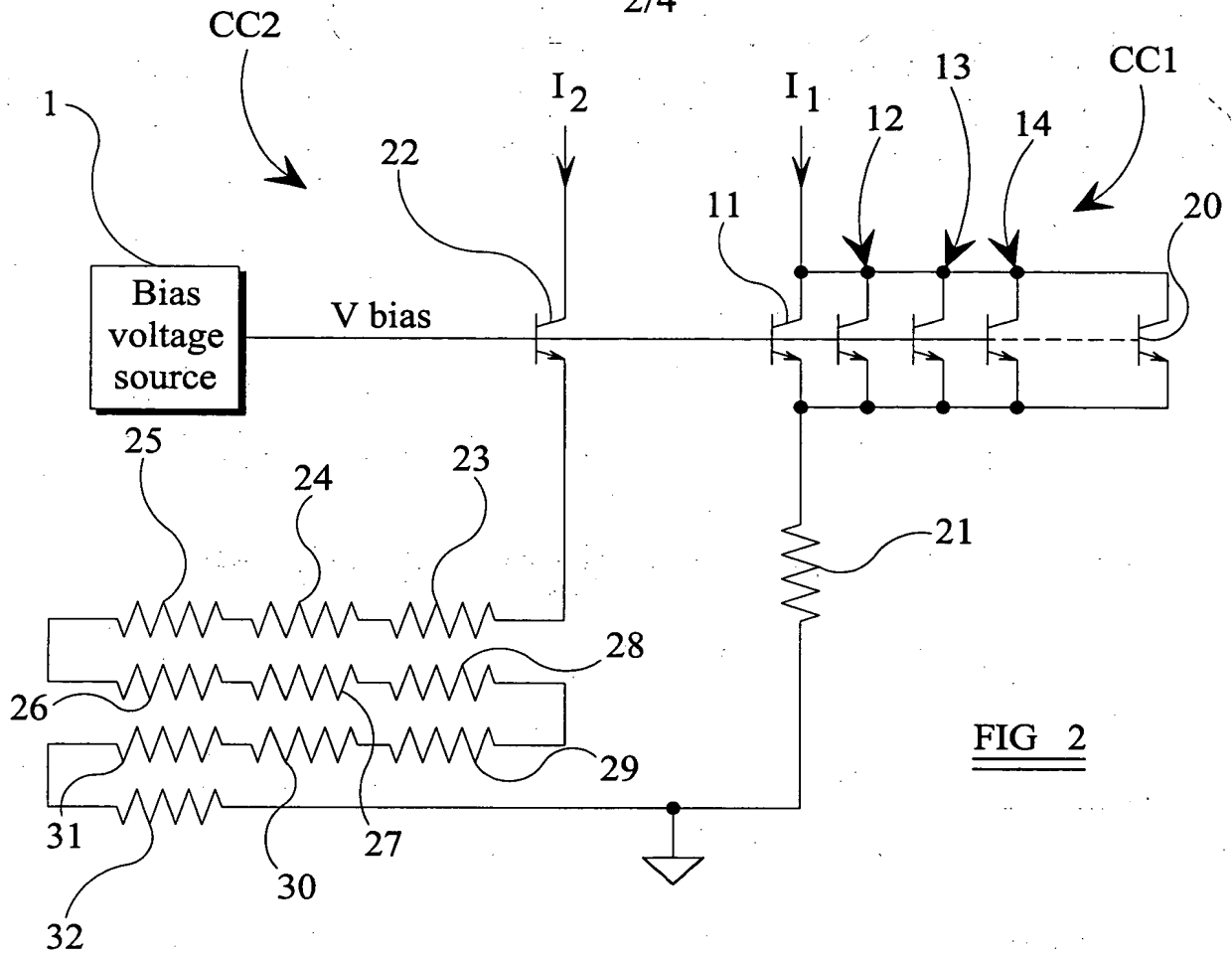


FIG 2

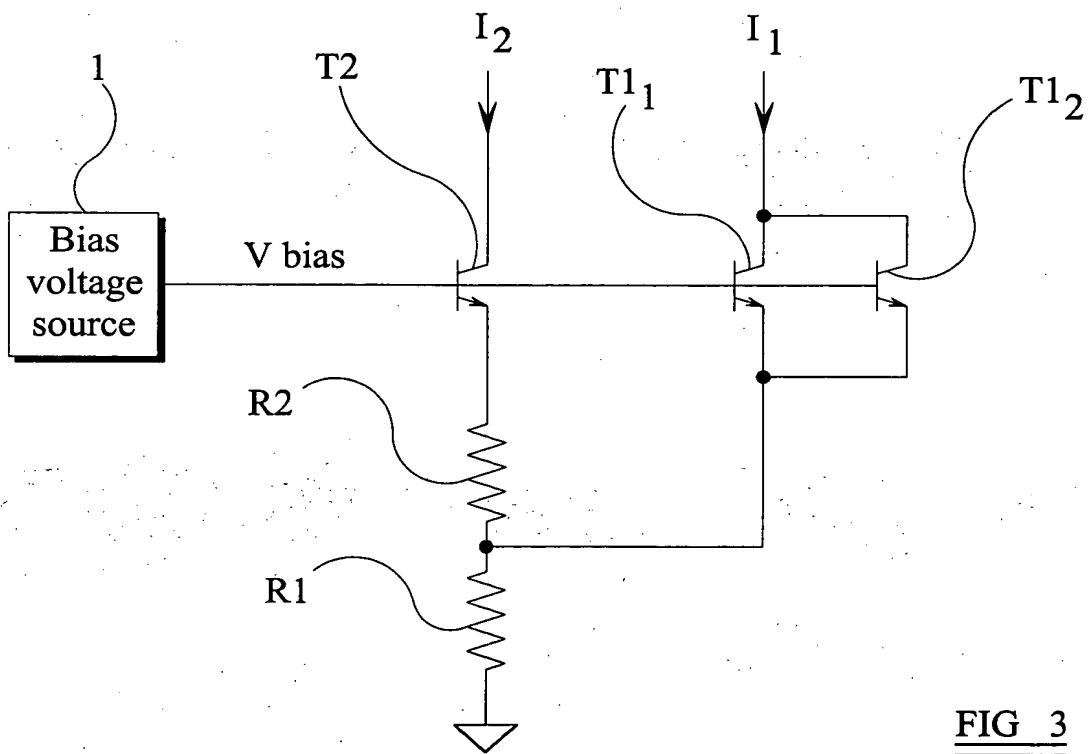


FIG 3

AMPLIFIER
Applicant: Arshad Madni et al.
Application No.: 10/056,155
3/4

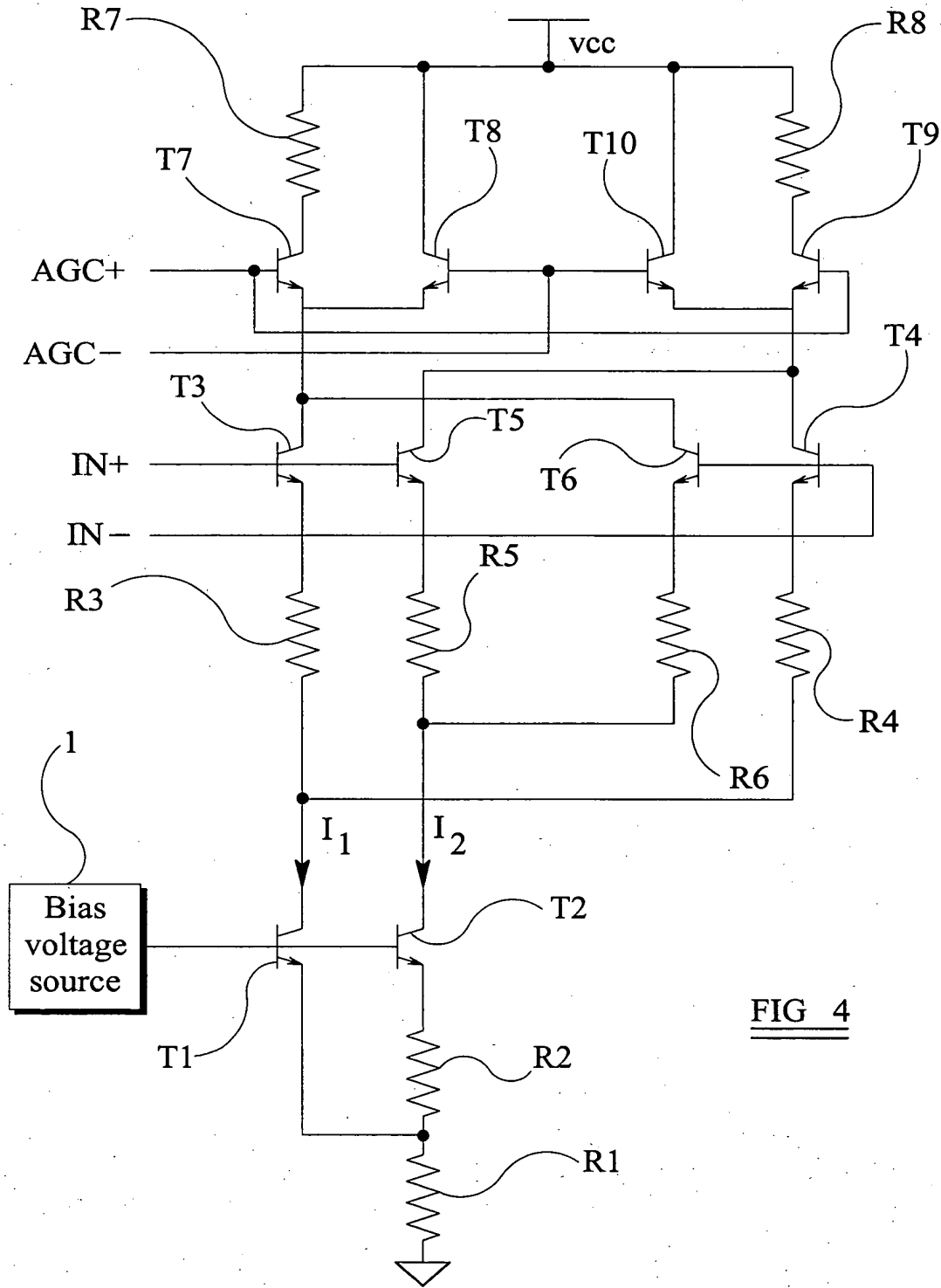


FIG 4

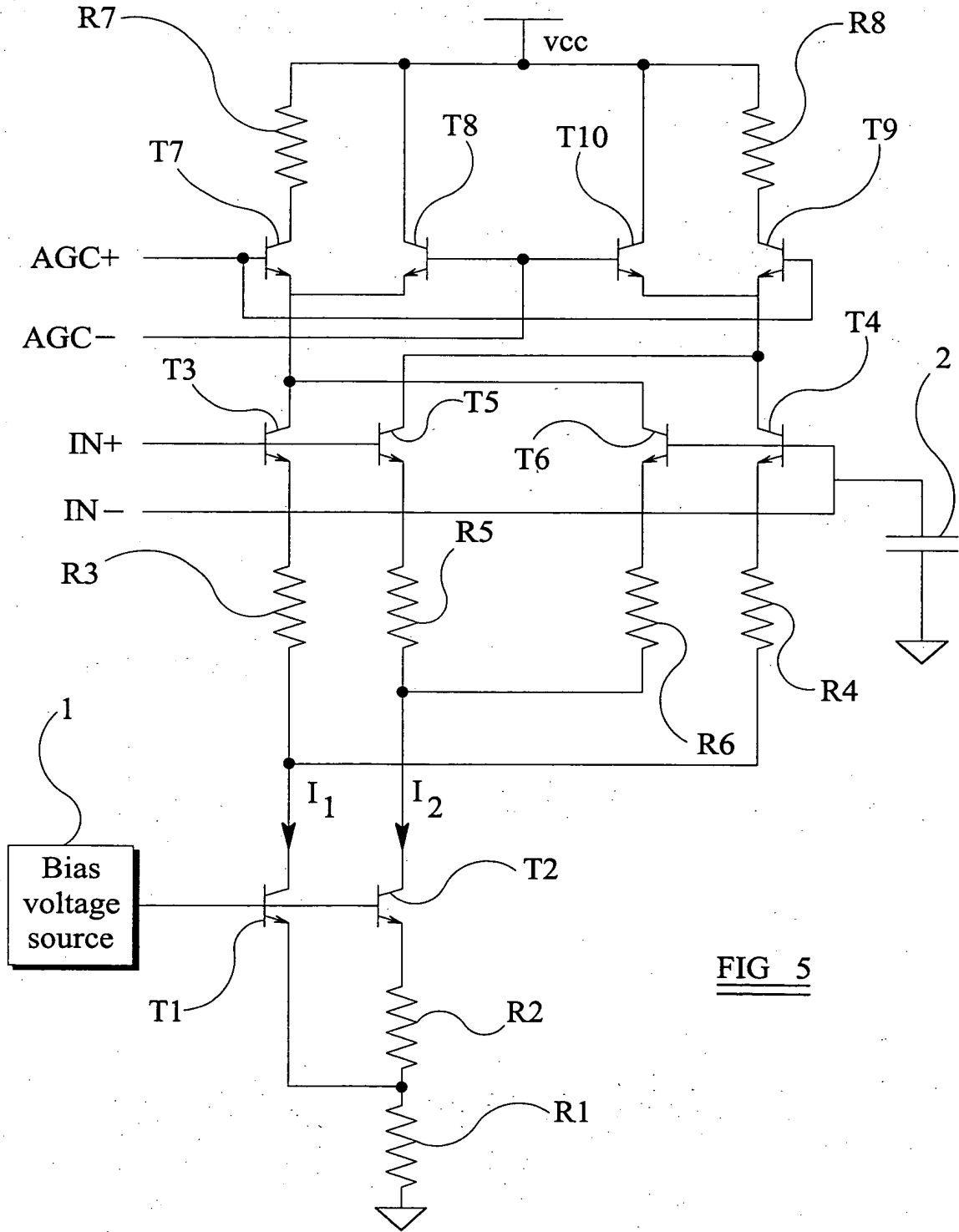


FIG 5